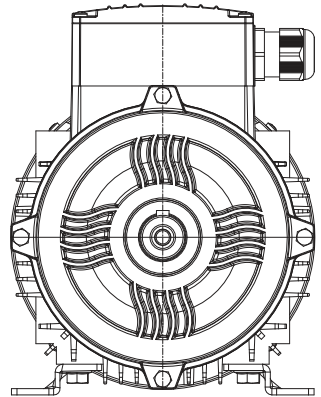
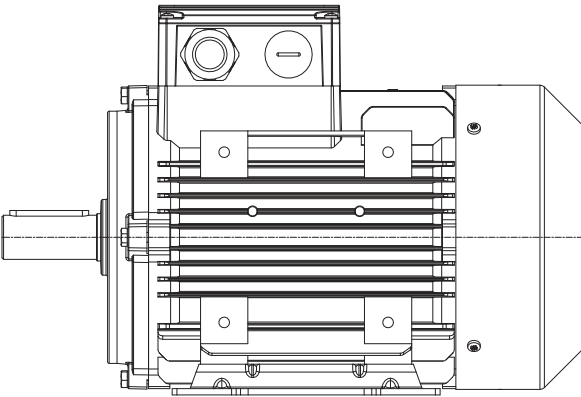




PRICE LIST

January 2023



Speed	Power Output	Frame Size	Material	Voltage	Efficiency Class	Type	List Price	
							B3	FL/FT&FL
2 pole, 3000 rpm, IP55, Insulation class F/B								
2 pole	0.18	63M	Aluminium	230/400V 50Hz	IE2	2EL063M2A	£148.00	£155.40
2 pole	0.25	63M	Aluminium	230/400V 50Hz	IE2	2EL063M2B	£152.00	£159.60
2 pole	0.37	71M	Aluminium	230/400V 50Hz	IE3	3EL071M2B	£160.00	£168.00
2 pole	0.55	71M	Aluminium	230/400V 50Hz	IE3	3EL071M2C	£176.00	£184.80
2 pole	0.75	80M	Aluminium	230/400V 50Hz	IE3	3EL080M2B	£219.00	£229.95
2 pole	1.1	80M	Aluminium	230/400V 50Hz	IE3	3EL080M2C	£240.00	£252.00
2 pole	1.5	90S	Aluminium	230/400V 50Hz	IE3	3EL090S2B	£349.00	£366.45
2 pole	2.2	90L	Aluminium	230/400V 50Hz	IE3	3EL090L2C	£375.00	£393.75
2 pole	3	100L	Aluminium	400/690V 50Hz	IE3	3EL100L2C	£484.00	£508.20
2 pole	4	112M	Aluminium	400/690V 50Hz	IE3	3EL112M2C	£584.00	£613.20
2 pole	5.5	132S	Aluminium	400/690V 50Hz	IE3	3EL132S2B	£843.00	£885.15
2 pole	7.5	132S	Aluminium	400/690V 50Hz	IE3	3EL132S2C	£921.00	£967.05
2 pole	11	160M	Aluminium	400/690V 50Hz	IE3	3EL160M2B	£1,522.00	£1,598.10
2 pole	15	160M	Aluminium	400/690V 50Hz	IE3	3EL160M2C	£1,649.00	£1,731.45
2 pole	18.5	160L	Aluminium	400/690V 50Hz	IE3	3EL160L2D	£1,762.00	£1,850.10
2 pole	22	180M	Cast iron	400/690V 50Hz	IE3	3EG180M2B	£2,608.00	£2,738.40
2 pole	30	200L	Cast iron	400/690V 50Hz	IE3	3EG200L2B	£3,523.00	£3,699.15
2 pole	37	200L	Cast iron	400/690V 50Hz	IE3	3EG200L2C	£3,615.00	£3,795.75
2 pole	45	225M	Cast iron	400/690V 50Hz	IE3	3EG225M2C	£4,462.00	£4,685.10
2 pole	55	250M	Cast iron	400/690V 50Hz	IE3	3EG250M2C	£5,537.00	£5,813.85
2 pole	75	280S	Cast iron	400/690V 50Hz	IE3	3EG280S2B	£9,105.00	£9,560.25
2 pole	90	280M	Cast iron	400/690V 50Hz	IE3	3EG280M2C	£9,525.00	£10,001.25
2 pole	110	315S	Cast iron	400/690V 50Hz	IE3	3EG315S2B	£14,894.00	£15,638.70
2 pole	132	315S	Cast iron	400/690V 50Hz	IE3	3EG315S2C	£15,468.00	£16,241.40
2 pole	160	315M	Cast iron	400/690V 50Hz	IE3	3EG315M2D	£16,352.00	£17,169.60
2 pole	200	315L	Cast iron	400/690V 50Hz	IE3	3EG315L2E	£17,375.00	£18,243.75

Aluminum motors 63-132 frame are fitted with steel bolt-on feet (feet repositioning possible).
Aluminum motors 160 frame are fitted with aluminium bolt-on feet (feet repositioning possible).

LOOSE FLANGES	B5	B14A
63 frame	£14.00	£11.00
71 frame	£21.00	£13.00
80 frame	£26.00	£17.00
90 frame	£29.00	£24.00
100 frame	£41.00	£30.00
112 frame	£43.00	£31.00
132 frame	£70.00	£45.00
160 frame	£207.00	£142.00
180 frame	£238.00	---
200 frame	£306.00	---
225 frame	£389.00	---
250 frame	£531.00	---
280 frame	£675.00	---
315 frame	P.O.A.	---

SPARE PARTS	Terminal Block	Plastic Fan	Fan Cover
63 frame	£13.00	£6.00	£15.00
71 frame	£20.00	£6.00	£18.00
80 frame	£20.00	£9.00	£21.00
90 frame	£23.00	£12.00	£33.00
100 frame	£34.00	£15.00	£39.00
112 frame	£34.00	£15.00	£48.00
132 frame	£34.00	£24.00	£63.00
160 frame	£68.00	£33.00	£123.00
200 frame	£155.00	£42.00	£150.00
225 frame	£197.00	£54.00	£195.00
280 frame	£204.00	£60.00	£222.00
315 frame	P.O.A.	P.O.A.	P.O.A.

Speed	Power Output	Frame Size	Material	Voltage	Efficiency Class	Type	List Price	
							B3	FL/FT&FL
4 pole, 1500 rpm, IP55, Insulation class F/B								
4 pole	0.18	63M	Aluminium	230/400V 50Hz	IE2	2EL063M4C	£148.00	£155.40
4 pole	0.25	71M	Aluminium	230/400V 50Hz	IE3	3EL071M4C	£176.00	£184.80
4 pole	0.37	71M	Aluminium	230/400V 50Hz	IE3	3EL071M4D	£189.00	£198.45
4 pole	0.55	80M	Aluminium	230/400V 50Hz	IE3	3EL080M4C	£246.00	£258.30
4 pole	0.75	80M	Aluminium	230/400V 50Hz	IE3	3EL080M4D	£273.00	£286.65
4 pole	1.1	90S	Aluminium	230/400V 50Hz	IE3	3EL090S4C	£334.00	£350.70
4 pole	1.5	90L	Aluminium	230/400V 50Hz	IE3	3EL090L4D	£375.00	£393.75
4 pole	2.2	100L	Aluminium	230/400V 50Hz	IE3	3EL100L4C	£507.00	£532.35
4 pole	3	100L	Aluminium	400/690V 50Hz	IE3	3EL100L4D	£547.00	£574.35
4 pole	4	112M	Aluminium	400/690V 50Hz	IE3	3EL112M4D	£648.00	£680.40
4 pole	5.5	132S	Aluminium	400/690V 50Hz	IE3	3EL132S4C	£908.00	£953.40
4 pole	7.5	132M	Aluminium	400/690V 50Hz	IE3	3EL132M4D	£1,036.00	£1,087.80
4 pole	11	160M	Aluminium	400/690V 50Hz	IE3	3EL160M4C	£1,597.00	£1,676.85
4 pole	15	160L	Aluminium	400/690V 50Hz	IE3	3EL160L4D	£1,762.00	£1,850.10
4 pole	18.5	180M	Cast iron	400/690V 50Hz	IE3	3EG180M4C	£2,537.00	£2,663.85
4 pole	22	180L	Cast iron	400/690V 50Hz	IE3	3EG180L4D	£2,703.00	£2,838.15
4 pole	30	200L	Cast iron	400/690V 50Hz	IE3	3EG200L4D	£3,515.00	£3,690.75
4 pole	37	225S	Cast iron	400/690V 50Hz	IE3	3EG225S4C	£4,224.00	£4,435.20
4 pole	45	225M	Cast iron	400/690V 50Hz	IE3	3EG225M4D	£4,591.00	£4,820.55
4 pole	55	250M	Cast iron	400/690V 50Hz	IE3	3EG250M4D	£5,957.00	£6,254.85
4 pole	75	280S	Cast iron	400/690V 50Hz	IE3	3EG280S4C	£7,991.00	£8,390.55
4 pole	90	280M	Cast iron	400/690V 50Hz	IE3	3EG280M4D	£8,510.00	£8,935.50
4 pole	110	315S	Cast iron	400/690V 50Hz	IE3	3EG315S4C	£13,505.00	£14,180.25
4 pole	132	315M	Cast iron	400/690V 50Hz	IE3	3EG315M4D	£14,592.00	£15,321.60
4 pole	160	315L	Cast iron	400/690V 50Hz	IE3	3EG315L4E	£15,499.00	£16,273.95
4 pole	200	315L	Cast iron	400/690V 50Hz	IE3	3EG315L4F	£16,708.00	£17,543.40

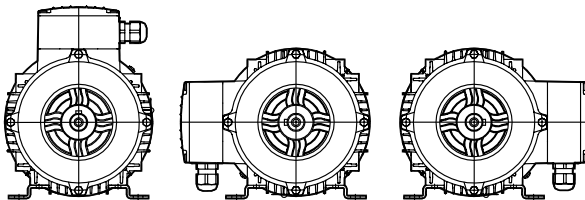
Cast-iron motors have integral cast-on feet.

DC BRAKE	Brake	Hand
		Release
63 frame	£220.00	£41.00
71 frame	£220.00	£41.00
80 frame	£255.00	£44.00
90 frame	£307.00	£47.00
100 frame	£389.00	£56.00
112 frame	£486.00	£88.00
132 frame	£676.00	£123.00
160 frame	£1,010.00	£161.00

FORCE VENT	Unit
63 frame	£56.00
71 frame	£56.00
80 frame	£61.00
90 frame	£68.00
100 frame	£87.00
112 frame	£89.00
132 frame	£117.00
160 frame	£159.00
180 frame	£286.00
200 frame	£312.00
225 frame	£323.00
250 frame	£340.00
280 frame	£431.00
315 frame	P.O.A.

Speed	Power Output	Frame Size	Material	Voltage	Efficiency Class	Type	List Price	
							B3	FL/FT&FL
6 pole, 1000 rpm, IP55, Insulation class F/B								
6 pole	0.18	71M	Aluminium	230/400V 50Hz	IE3	3EL071M6C	£172.00	£180.60
6 pole	0.25	71M	Aluminium	230/400V 50Hz	IE3	3EL071M6D	£193.00	£202.65
6 pole	0.37	80M	Aluminium	230/400V 50Hz	IE3	3EL080M6B	£219.00	£229.95
6 pole	0.55	80M	Aluminium	230/400V 50Hz	IE3	3EL080M6C	£258.00	£270.90
6 pole	0.75	90S	Aluminium	230/400V 50Hz	IE3	3EL090S6B	£320.00	£336.00
6 pole	1.1	90L	Aluminium	230/400V 50Hz	IE3	3EL090L6C	£355.00	£372.75
6 pole	1.5	100L	Aluminium	230/400V 50Hz	IE3	3EL100L6B	£445.00	£467.25
6 pole	2.2	112M	Aluminium	230/400V 50Hz	IE3	3EL112M6B	£597.00	£626.85
6 pole	3	132S	Aluminium	400/690V 50Hz	IE3	3EL132S6B	£855.00	£897.75
6 pole	4	132M	Aluminium	400/690V 50Hz	IE3	3EL132M6C	£911.00	£956.55
6 pole	5.5	132M	Aluminium	400/690V 50Hz	IE3	3EL132M6D	£997.00	£1,046.85
6 pole	7.5	160M	Aluminium	400/690V 50Hz	IE3	3EL160M6D	£1,630.00	£1,711.50
6 pole	11	160L	Aluminium	400/690V 50Hz	IE3	3EL160L6E	£1,747.00	£1,834.35
6 pole	15	180L	Aluminium	400/690V 50Hz	IE3	3EG180L6E	£2,582.00	£2,711.10
6 pole	18.5	200L	Cast iron	400/690V 50Hz	IE3	3EG200L6C	£3,191.00	£3,350.55
6 pole	22	200L	Cast iron	400/690V 50Hz	IE3	3EG200L6D	£3,373.00	£3,541.65
6 pole	30	225S	Cast iron	400/690V 50Hz	IE3	3EG225S6C	£4,271.00	£4,484.55
6 pole	37	250M	Cast iron	400/690V 50Hz	IE3	3EG250M6C	£5,360.00	£5,628.00
6 pole	45	280S	Cast iron	400/690V 50Hz	IE3	3EG280S6B	£7,206.00	£7,566.30
6 pole	55	280M	Cast iron	400/690V 50Hz	IE3	3EG280M6C	£7,413.00	£7,783.65
6 pole	75	315S	Cast iron	400/690V 50Hz	IE3	3EG315S6B	P.O.A.	P.O.A.
6 pole	90	315M	Cast iron	400/690V 50Hz	IE3	3EG315M6C	P.O.A.	P.O.A.
6 pole	110	315M	Cast iron	400/690V 50Hz	IE3	3EG315M6D	P.O.A.	P.O.A.
6 pole	132	315L	Cast iron	400/690V 50Hz	IE3	3EG315L6E	P.O.A.	P.O.A.
6 pole	160	315L	Cast iron	400/690V 50Hz	IE3	3EG315L6F	P.O.A.	P.O.A.

Feet repositioning possible at frame sizes 63-160.



Van Houcke UK Ltd
Unit 5 Cirrus Park
Lower Farm Road
Northampton
NN3 6UR

www.fcm-motors.com

info@fcm-motors.com

☎ 01933 322113

