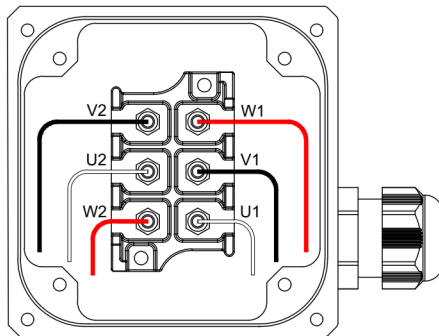


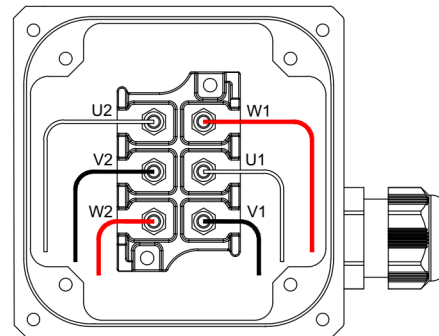
3ph

STANDARD CONNECTION

CONNECTION UPON REQUEST

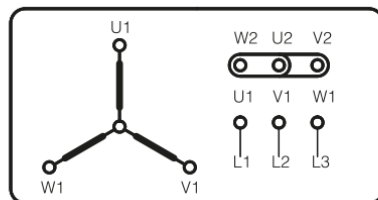


CLOCKWISE

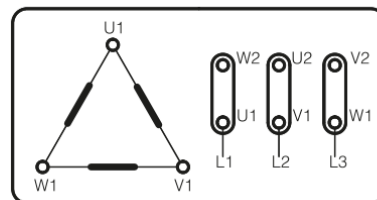


COUNTER CLOCKWISE

Terminal Connections for Three-Phase Motors



Y Star Connection
Clockwise

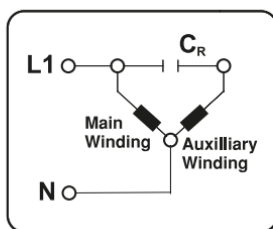


Δ Delta Connection
Clockwise

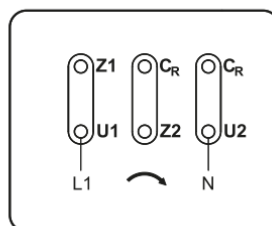
Swap any two incoming phases to change direction of rotation !!

1ph

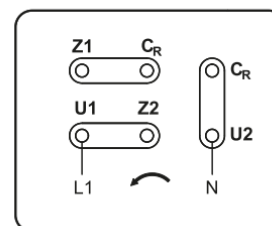
Terminal Connections for Single-Phase Run Capacitor Motors



Circuit Connection

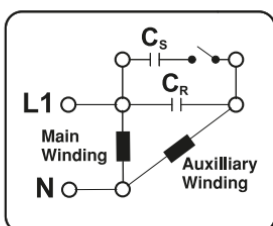


Clockwise Rotation

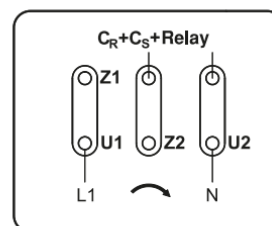


Counter-Clockwise Rotation

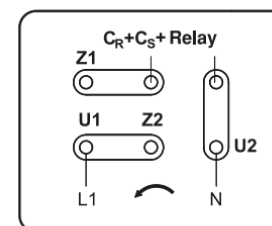
Terminal Connections for Single-Phase Run and Start Capacitor Motors



Circuit Connection



Clockwise Rotation



Counter-Clockwise Rotation